

# FP12YPI-B

## Portrait installation yoke for FlexPoint FP12

### Features

- Portrait yoke for fixed installations
- Stand mount when used with pole mount adaptor ASF20045 (available separately)
- Truss mount when used with a third-party half-coupler
- Allows close proximity mounting
- Central hole: 12 mm (0.47 in); two inner holes: 10.2 mm (0.40 in); two outer holes: 8.2 mm (0.32 in)
- Available in black

### Applications

- Installed flown FlexPoint FP12
- Installed wall or ceiling mounted FlexPoint FP12
- Installed pole mounted FlexPoint FP12

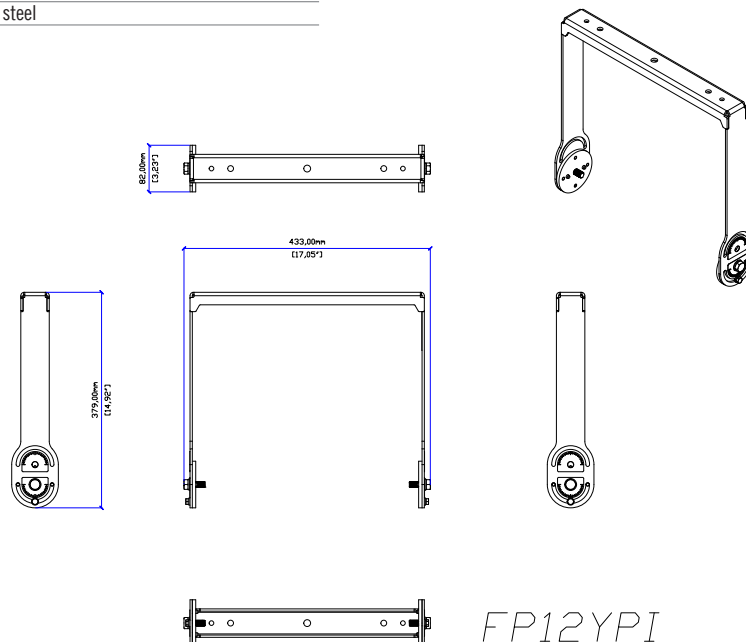
### Contents

- 1 x FP12YPI-B yoke
- 2 x M10 x 30 hex bolts
- 2 x M10 spring washers
- 2 x M10 flat washers

### Technical Specifications

Weight: 2.85 kg 6.28 lb

Material: Weatherised polyester powder coated steel



FP12YPI